

Home Cinema Speaker Wall Mounts (Pair) with Tilt and Swivel

For more information please visit www.btechavmounts.com/BT332

BT332



BT332

Home Cinema Speaker Wall Mounts (Pair) with Tilt and Swivel

Designed for speakers up to 5kg (11lbs)

- Speakers adjustable; up / down / sideways
- Features +/- 20° tilt adjustment and 180° swivel
- Includes adaptors for keyhole, single point and dual point fixings
- No visible wall fixing screws
- Dist from Wall: 72mm (2.8")
- Distance between dual point fixings: Min: 51mm (2.0") - Max: 67mm (2.6")
- Suitable for speakers using M5, M6, UNC 1/4" and wood screws
- Simple installation with all mounting hardware included
- Available in black, white or silver
- Supplied in pairs



Per Mount



Simple 'hook-on' installation



Thumbwheel for easy tilt and swivel adjustment



Includes optional dual point adaptor



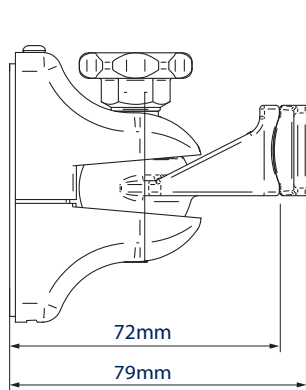
Supplied in pairs

**Speakers not included*

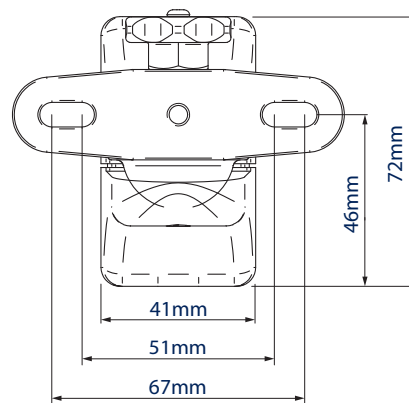
Home Cinema Speaker Wall Mounts (Pair) with Tilt and Swivel

For more information please visit www.btechavmounts.com/BT332

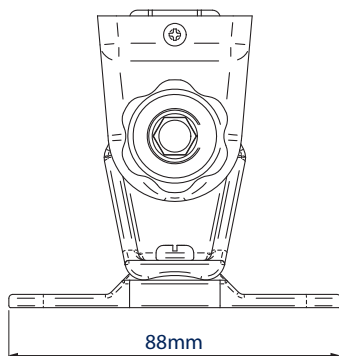
BT332



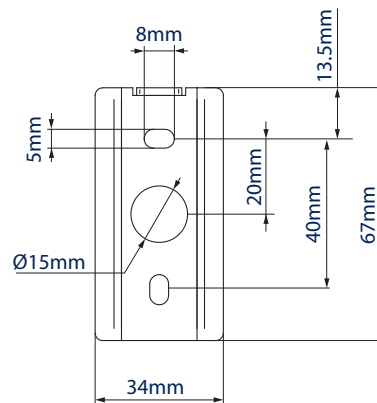
Side View



Front View



Top View



Wall Plate

| Colour: | Order Ref: | EAN Code: | Master Carton Qty: | Inner Carton Qty: | Master Carton Weight: | Master Carton Cube: |
|---------|------------|---------------|--------------------|-------------------|-----------------------|----------------------|
| Black | BT332/B | 5019318041006 | 16 | 4 | 10.68kg (23.50lbs) | 0.023cbm (0.816cuft) |
| Silver | BT332/S | 5019318033223 | 16 | 4 | 10.68kg (23.50lbs) | 0.052cbm (1.84cuft) |
| White | BT332/W | 5019318043215 | 16 | 4 | 10.68kg (23.50lbs) | 0.021cbm (0.739cuft) |

This information is intended as a guide only and reflects the current specification at the time of print. B-Tech accepts no liability for the accuracy of the information contained in this document.