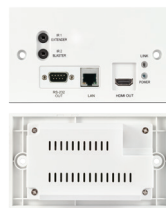


5Play™ HDBaseT™ Wall Plate Receiver (inc. PoE & single LAN, up to 100m)

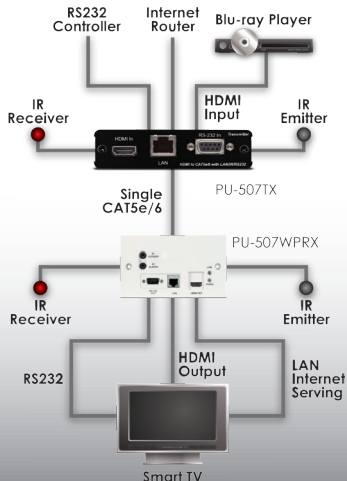


5Play™ **HDBT**® **HDMI**®
HIGH-DEFINITION MULTIMEDIA INTERFACE

The PU-507WPRX allows uncompressed HDMI signals and IP data to be transmitted over a Single CAT5e/6/7 cable. This device features full 5-Play convergence allowing the distribution of Video, Audio, LAN serving, Power over Cable (PoC), RS-232 and 2-way IR control functionality over the same CAT5e/6/7 cable. These combined HDMI and control signals can be transmitted up to lengths of 100 metres. This wall plate variant of the PU-507-RX receiver enables seamless integration into a standard double-gang back box.

FEATURES

- Supports all v1.4 HDMI resolutions plus 4K
- Supports uncompressed video/audio up to 10.2Gbps
- Common supported resolutions: HDTV: 480p, 576p, 720p, 1080i, 1080p, 1080p24; PC: VGA, SVGA, XGA, WXGA, SXGA, UXGA, WUXGA
- HDMI, HDCP, & DVI compliant
- Supports HDCP repeating and CEC functions
- Uncompressed data transfer over single CAT cable (100m - CAT6/7; 80m - CAT5e)
- Uncompressed video 1080p, 60Hz, 48bits
- Audio support up to 7.1CH & Dolby TrueHD, DTS-HD
- 5Play™ convergence: HDMI, LAN, PoC & Control (IR & RS-232)
- Supports 3D signals



SPECIFICATIONS

Input:	1x RJ45 (1x HDMI & Proprietary Data) 1x 3.5mm Stereo mini-jack (1x Infra Red Receiver)
Output:	1x HDMI (1x HDMI Uncompressed AV and Data), 1x 9pin Dsub (1x RS-232 Data), 1x 3.5mm Stereo mini-jack (1x Infra Red Emmitter), 1x RJ45 (1x Ethernet I/O) IP
Power:	Self-powering RX via PoC
Dimensions:	145mm (W) x 40mm (D) x 85mm (H)
Gross Weight:	540g
Net. Weight:	360g
Packaging:	Boxed

